

# *FireCaptain*<sup>TM</sup>

## SERIES

## WARRIOR

### PORTABLE & WRAP-AROUND



### SELF-PRIMING 2-STAGE FIRE PUMP

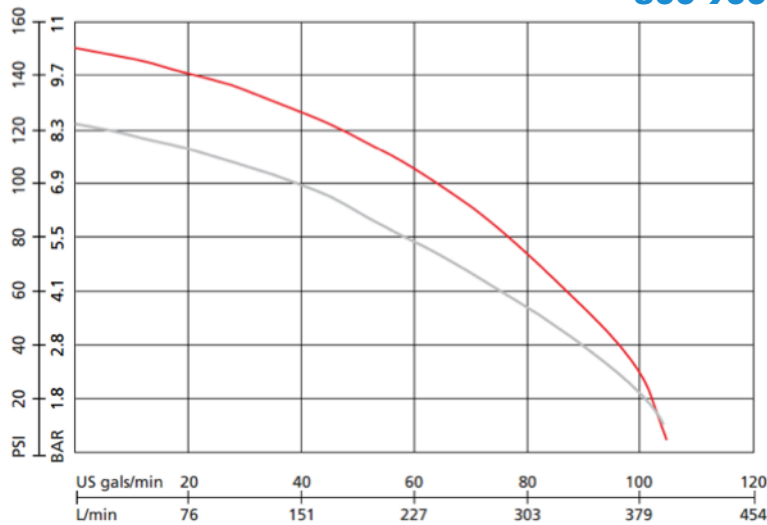
The **KECO FIRE CAPTAIN WARRIOR-6** and **WARRIOR-9** are versatile, rugged, and economical twin impeller self-priming pumps. These units are driven by **6 HP and 9 HP Honda engines**. They produce maximum pressures of 120 PSI (8.3 BAR) and 150 PSI (10.3 BAR). They also produce flow rates of up to 105 US GPM (397 L/min). Their compact design makes them ideal for a variety of applications such as firefighting, tank filling and water transfers.

#### Applications

- Firefighting
- Tank filling
- High head general water transfer
- Boom spraying
- Irrigation

#### Features and Benefits

- Twin impeller design provides additional pressure for longer & higher pumping applications.
- Pump casing and diffusers manufactured from quality corrosion resistant grade aluminum for long life.
- Nylon glass fiber reinforced impellers fully corrosion proof and lightweight.
- 3-way discharge port for easy installation.
- Powder coated casing for added corrosion resistance.
- Self-priming for more versatile installation options.
- Easy to access drain port.
- Low oil protection.
- Comprehensive user and service manuals.
- EPA certified.



**Honda GX200 - 6**

**HONDA  
ENGINES**

Weight: 56 Lbs (25 Kg)  
 Engine brand: Honda GX200  
 Series Engine type: Gas 4-Stroke

**Flow rate at specified pressure**

Maximum pressure: 120 PSI (8.3 bar)  
 Free flow: 105 US gals/min (397 L/min)  
 Maximum head: 277' (84m)

Flow Rate			Pressure	
US GPM	(LPM)	@	PSI	(BAR)
83	(314)	@	50	(3.4)
63	(238)	@	75	(5.2)
38	(144)	@	100	(6.9)

**Honda GX270 - 9**

**HONDA  
ENGINES**

Weight: 79 Lbs (36 Kg)  
 Engine brand: Honda GX270  
 Series Engine type: Gas 4-Stroke

**Flow rate at specified pressure**

Maximum pressure: 150 PSI (10.3 bar)  
 Free flow: 105 US gals/min (397 L/min)  
 Maximum head: 347' (106m)

Flow Rate			Pressure	
US GPM	(LPM)	@	PSI	(BAR)
92	(348)	@	50	(3.4)
80	(303)	@	75	(5.2)
64	(242)	@	100	(6.9)

**Pumps Specifications:**

- Type: 2-stage Self-Priming Centrifugal Pump
- Maximum Allowable Pressure: 190 PSI (13.1 bar)
- Intake: 2" Male NPT Thread (Other connector options available)
- Discharge: Manifold: (2) 1" Male NPT and (1) 1.5" NPT ports with hard anodized aluminum caps. 2"
- Priming Port: Male BSP with hard anodized aluminum cap
- Body & Diffusers: Anodized corrosive resistant aluminum
- Impellers: 6.28 inches (160 mm) Diameter; Reinforced glass fiber nylon composite.
- Wear Rings: Reinforced glass fiber nylon composite; replaceable.
- Pump Shaft: Extension off engine drive shaft.
- Pump Seal: Maintenance Free; Mechanical Type.
- Drive Unit: Engine, Direct drive off engine PTO shaft.
- Color: Red Powder Coat.



**TECHNICAL DRAWINGS**

**800-900-PUMP PUMPAHEAD.COM**

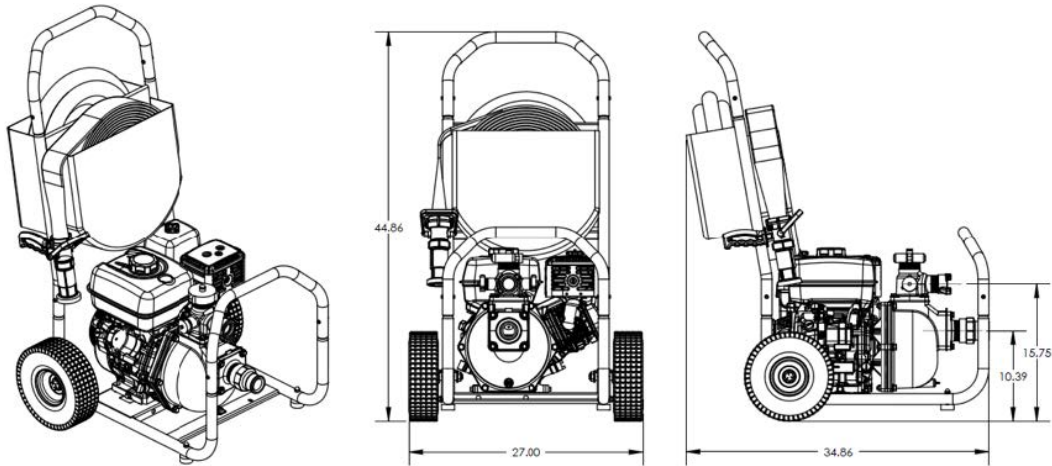
**CADET-6**

Length 34.86" (88.5 cm)

Width 27" (68.6 cm)

Height 44.86" (113.9 cm)

Weight 112 lbs (52.5 kg)



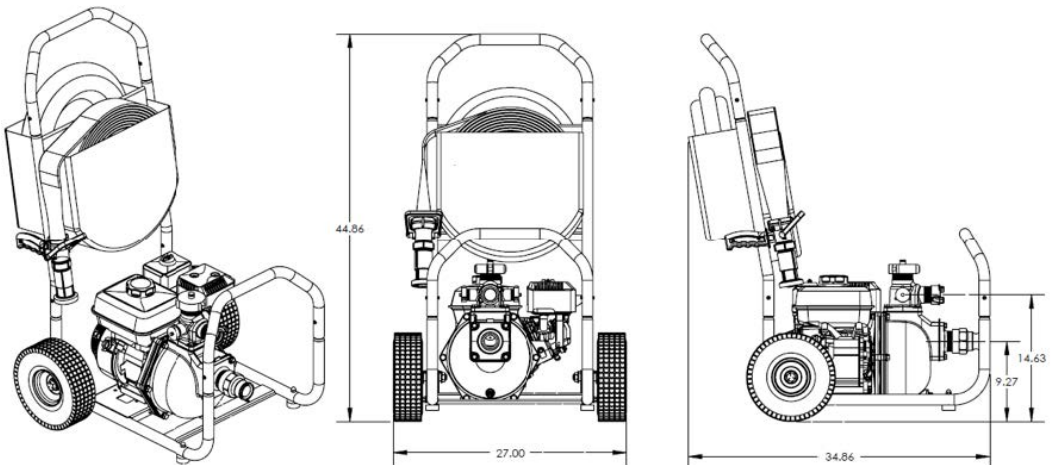
**CADET-9**

Length 34.86" (88.5 cm)

Width 27" (68.6 cm)

Height 44.86" (113.9 cm)

Weight 142 lbs (64.3 kg)



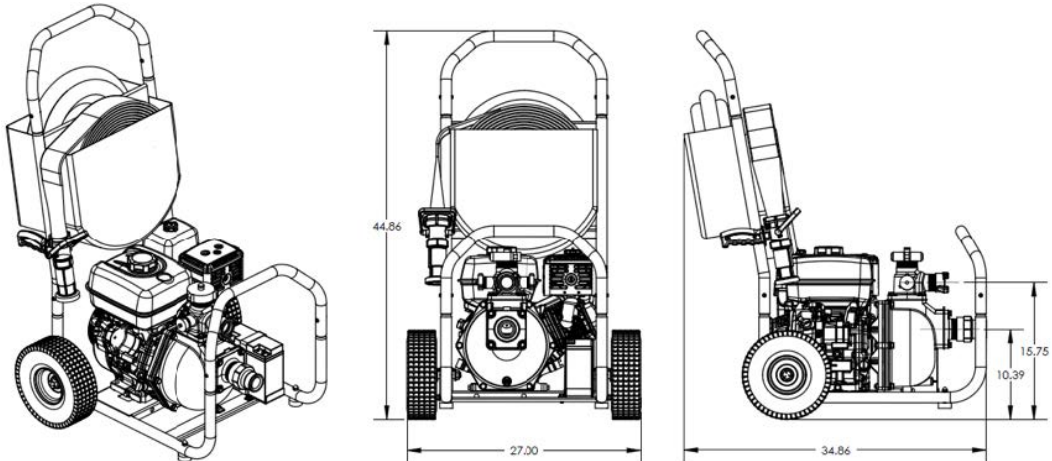
**CADET-9E**

Length 34.86" (88.5 cm)

Width 27" (68.6 cm)

Height 44.86" (113.9 cm)

Weight 160 lbs (72.4 kg)





**KECO Inc.**  
3235 Hancock St  
Suite 2  
San Diego, CA 92110

**800-900-PUMP**

T 619-298-3800  
F 619-298-3300

sales@pumpahead.com  
www.pumpahead.com

Distributed by:

All information contained in this document including drawings is proprietary to KECO and may not be copied, reproduced or used in whole or in part without our prior written permission. The information in this document is subject to change without notice. Model displayed with multiple options. Weight and dimensions are approximated and may vary depending on options.